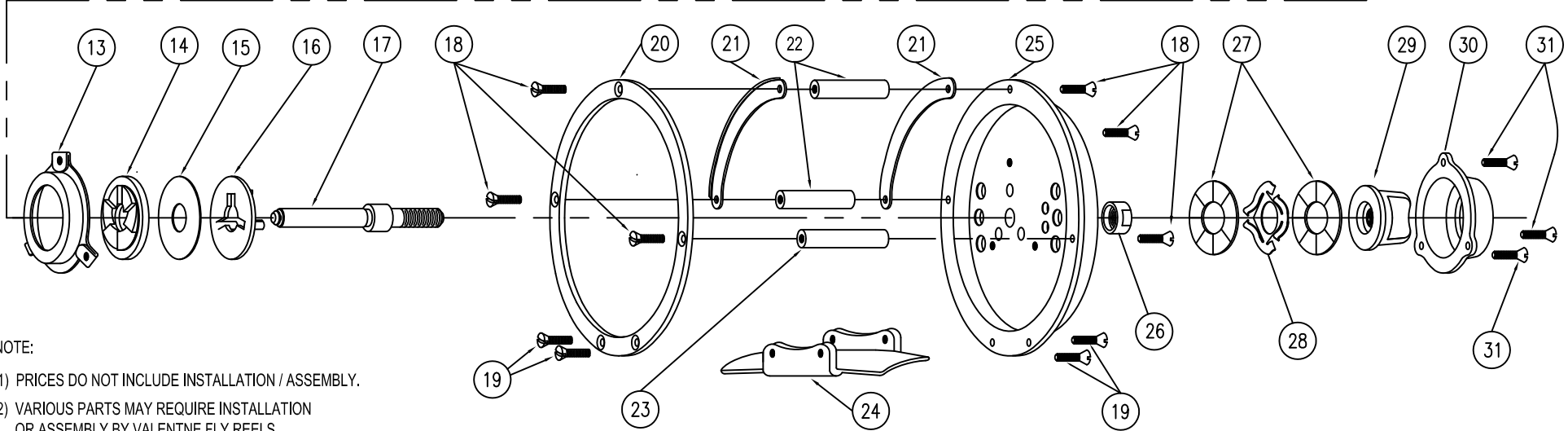
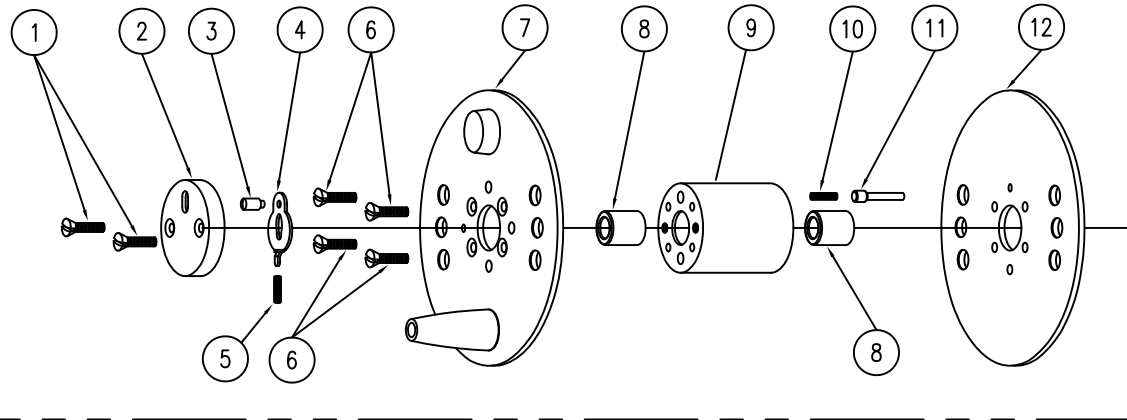


# VALENTINE Single Action Fly Reel



- NOTE:
- 1) PRICES DO NOT INCLUDE INSTALLATION / ASSEMBLY.
  - 2) VARIOUS PARTS MAY REQUIRE INSTALLATION OR ASSEMBLY BY VALENTINE FLY REELS.

ITEM	QTY.	PART NO.	DESCRIPTION	PRICE EA.	ITEM	QTY.	PART NO.	DESCRIPTION	PRICE EA.
1	2	1183-035	3-48 OVAL HEAD MACHINE SCREWS	\$ .40	17	1	1183-XX08	SPINDLE	\$ 29.00
2	1	1183-7625	LATCH HOUSING	\$ 4.65	18	6	1183-035	3-48 OVAL HEAD MACHINE SCREWS	\$ .40
3	1	1183-026A	LATCH PIN	\$ 4.25	19	4	1183-036	3-48 OVAL HEAD MACHINE SCREWS	\$ .40
4	1	1183-026	LATCH	AS ASSEMBLED	20	1	1183-XX10	RINGFRAME	\$ 35.60
5	1	1183-033	LATCH SPRING	\$ .45	21	2	1183-XX22	LINEGUARDS	\$ 2.90
6	4	1183-140	3-48 FLAT HEAD MACHINE SCREWS	\$ .40	22	2	1183-XX11	POST (SHORT)	\$ 8.00
7	1	1183-XX15	FRONT SPOOL FLANGE ASSEMBLY	\$ 48.00	23	1	1183-XX12	POST (LONG)	\$ 9.75
8	2	1183-121S	SPOOL BEARING	\$ .90	24	1	1183-XX13	SADDLE	\$ 10.00
9	1	1183-016	SPOOL CORE	\$ 39.00	25	1	1183-XX01	BACKPLATE	\$ 87.00
10	1	1183-XX19	PAWL SPRING	\$ .45	26	1	1183-XX45	SPINDLE NUT	\$ 5.50
11	1	1183-117	PAWL	\$ 2.80	27	2	1485-099	WASHER	\$ .60
12	1	1183-XX14	REAR SPOOL FLANGE	\$ 23.45	28	1	1485-005	SPRING	\$ 2.25
13	1	1183-144	BRAKE CUP	\$ 6.80	29	1	1183-107	DRAG ADJUSTMENT KNOB	\$ 13.75
14	1	1183-109L	RATCHET ( LEFT HAND, COLOR BLACK )	\$ 5.90	30	1	1183-104	SPRING HOUSING	\$ 12.00
14	1	1183-109R	RATCHET ( RIGHT HAND, COLOR BROWN )	\$ 5.90	31	3	1183-141	3-48 OVAL HEAD MACHINE SCREWS	\$ .40
15	1	1183-143	SLIP DISC, TEFLON	\$ 1.80					
16	1	1183-103	BRAKE DISC	\$ 2.00					

NOTE: For proper part number specification, insert model number of reel where "XX" exists. Example: 1183-9514 pertains to a model 95.